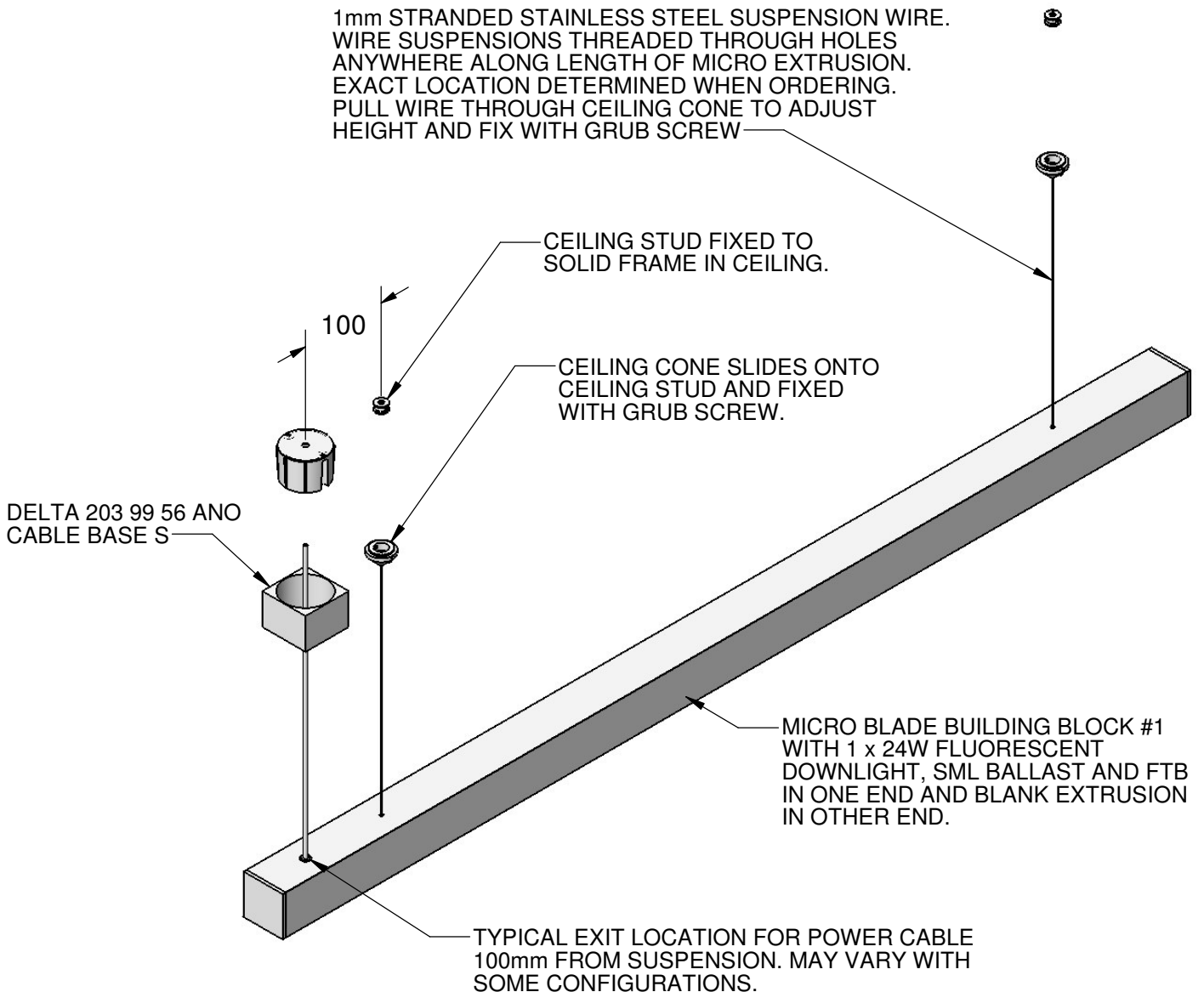


Suspended Downlight Installation Instruction



FITTING SUPPLIED FULLY ASSEMBLED WITH SUSPENSION WIRES ATTACHED. LOCATION OF SUSPENSIONS DETERMINED WHEN ORDERING. FOR LARGE SYSTEMS ENSURE SUSPENSIONS ARE LOCATED CLOSE TO EXTRUSION JOINS AND CORNERS.

REFER TO BLADE RANGE WIRE SUSPENSION INSTALLATION INSTRUCTION FOR FURTHER DETAILS.
NOTE: MICRO BLADE USES A SINGLE WIRE RATHER THAN TWO WIRES PER SUSPENSION.