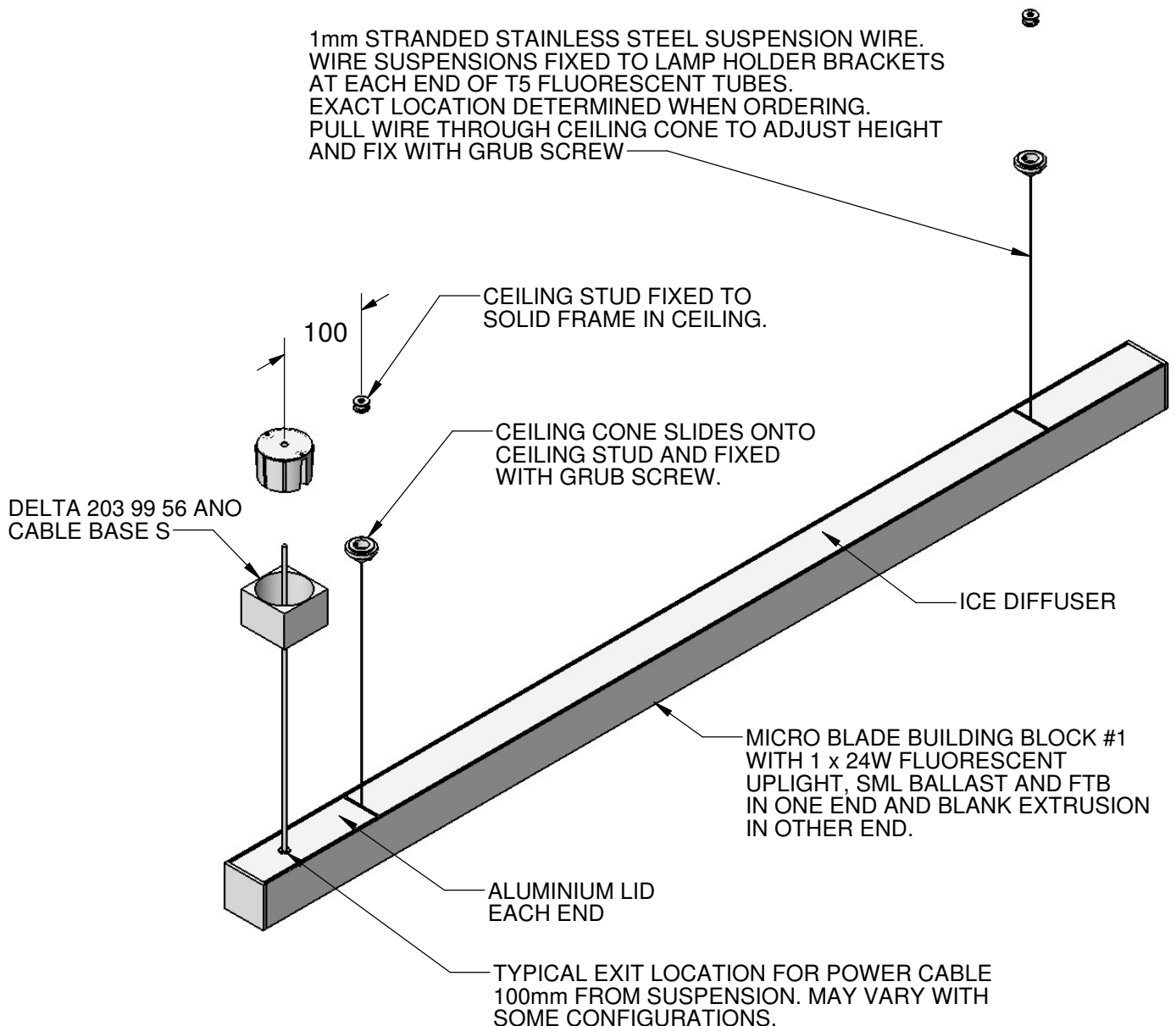


## Suspended Uplight Installation Instruction



FITTING SUPPLIED FULLY ASSEMBLED WITH SUSPENSION WIRES ATTACHED. LOCATION OF SUSPENSIONS DETERMINED WHEN ORDERING AS THEY WILL VARY WITH DIFFERENT CONFIGURATIONS.

REFER TO BLADE RANGE WIRE SUSPENSION INSTALLATION INSTRUCTION FOR FURTHER DETAILS.  
NOTE: MICRO BLADE USES A SINGLE WIRE RATHER THAN TWO WIRES PER SUSPENSION.