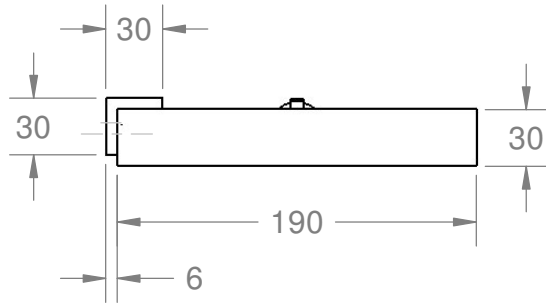
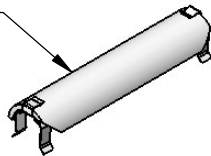


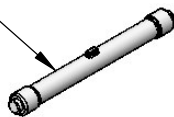
Linear Halogen Wall Light Installation Instruction



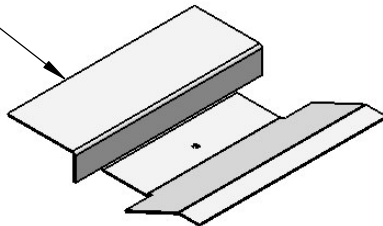
SAND BLASTED
GLASS COVER
AND CLIPS



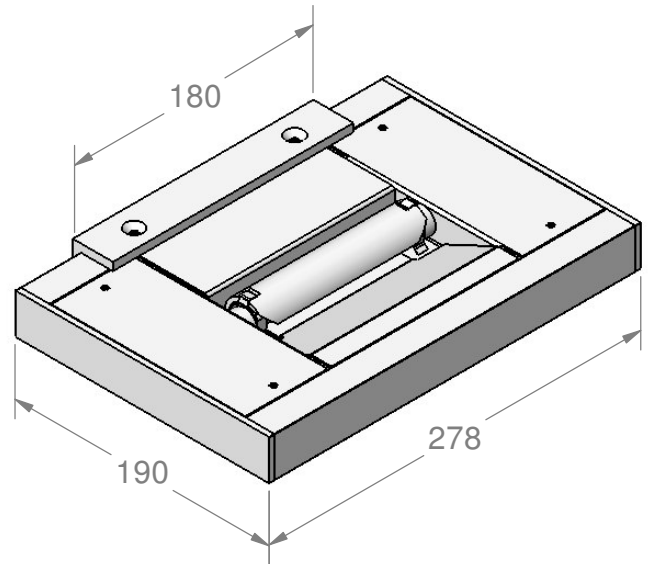
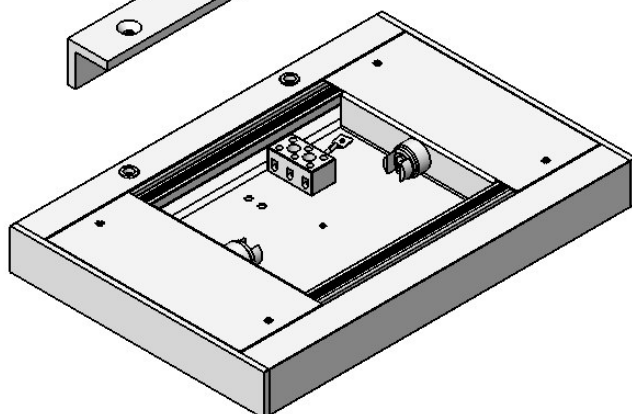
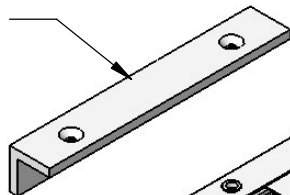
LINEAR HALOGEN LAMP
200W R7s 118mm



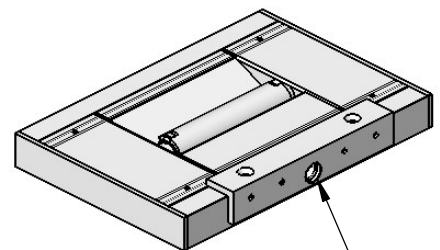
ALUMINIUM
REFLECTOR



WALL BRACKET



1. UNSCREW ALUMINIUM REFLECTOR AND WALL BRACKET (LAMP SUPPLIED LOOSE).
2. FIX WALL BRACKET TO WALL. ENSURE SCREWS GO INTO SOLID TIMBER OR USE APPROPRIATE WALL ANCHORS (NOT SUPPLIED).
3. SCREW LIGHT FITTING TO WALL BRACKET CONCURRENTLY GUIDING POWER CABLE INTO FITTING.
4. WIRE POWER CABLE INTO CONNECTOR BLOCK.
5. SCREW ALUMINIUM REFLECTOR IN PLACE CONCEALING WIRING.
6. INSERT 200W 240V R7 LINEAR HALOGEN LAMP AND CLIP ON GLASS COVER.



POWER CABLE
ENTRY HOLE