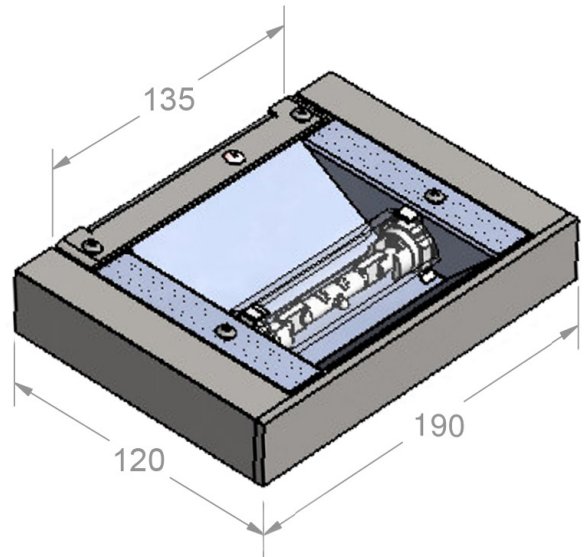
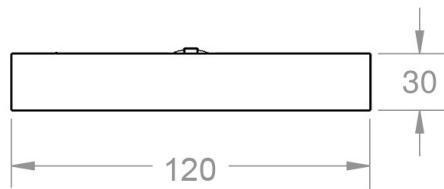
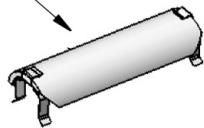


## Linear Halogen Wall Light Installation Instruction



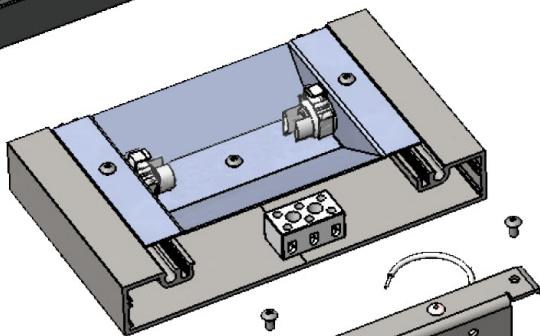
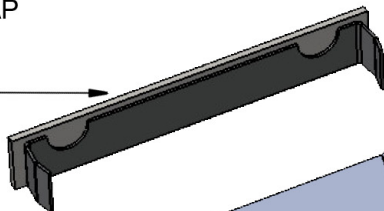
SAND BLASTED  
GLASS COVER  
AND CLIPS



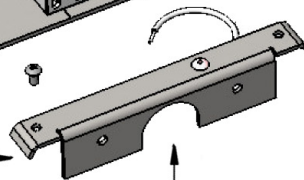
LINEAR HALOGEN LAMP  
100W R7s 78mm



END CAP

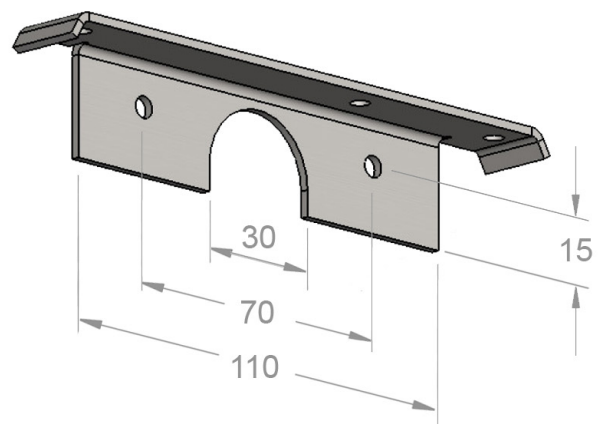


WALL BRACKET



POWER CABLE  
ENTRY HOLE

1. FIX WALL BRACKET TO WALL. ENSURE SCREWS GO INTO SOLID TIMBER OR USE APPROPRIATE WALL ANCHORS (NOT SUPPLIED).
2. WIRE POWER CABLE INTO CONNECTOR BLOCK.
3. SLIDE FITTING ONTO WALL BRACKET AND FIX SECURELY USING THE SCREWS PROVIDED.



WALL BRACKET