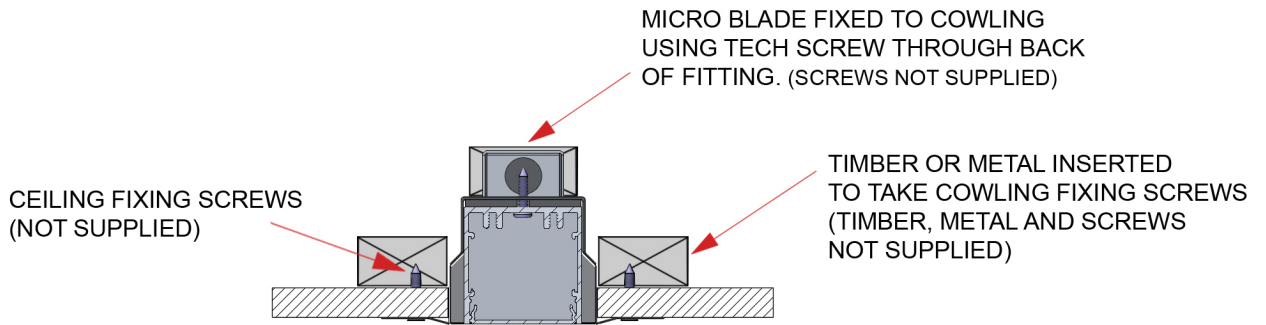


# Ceiling Recessed Cowling Installation Instruction

FOR COWLING INSTALLER AND ELECTRICIAN



**FIG 1.**

**NOTE 1:**

CUT OUT SIZE FOR COWLING = 66MM WIDTH. FINISHED COWLING IN CEILING SHOULD BE 12MM LONGER THAN MICRO BLADE FITTING (6MM AT EACH END).

COWLING CAN BE ORDERED IN 1.8M LENGTHS

**NOTE 2:**

BREAK-OUT SECTIONS - BREAK OUT WHERE REQUIRED TO ALLOW BALLAST BOX TO FIT THROUGH

**NOTE 3:**

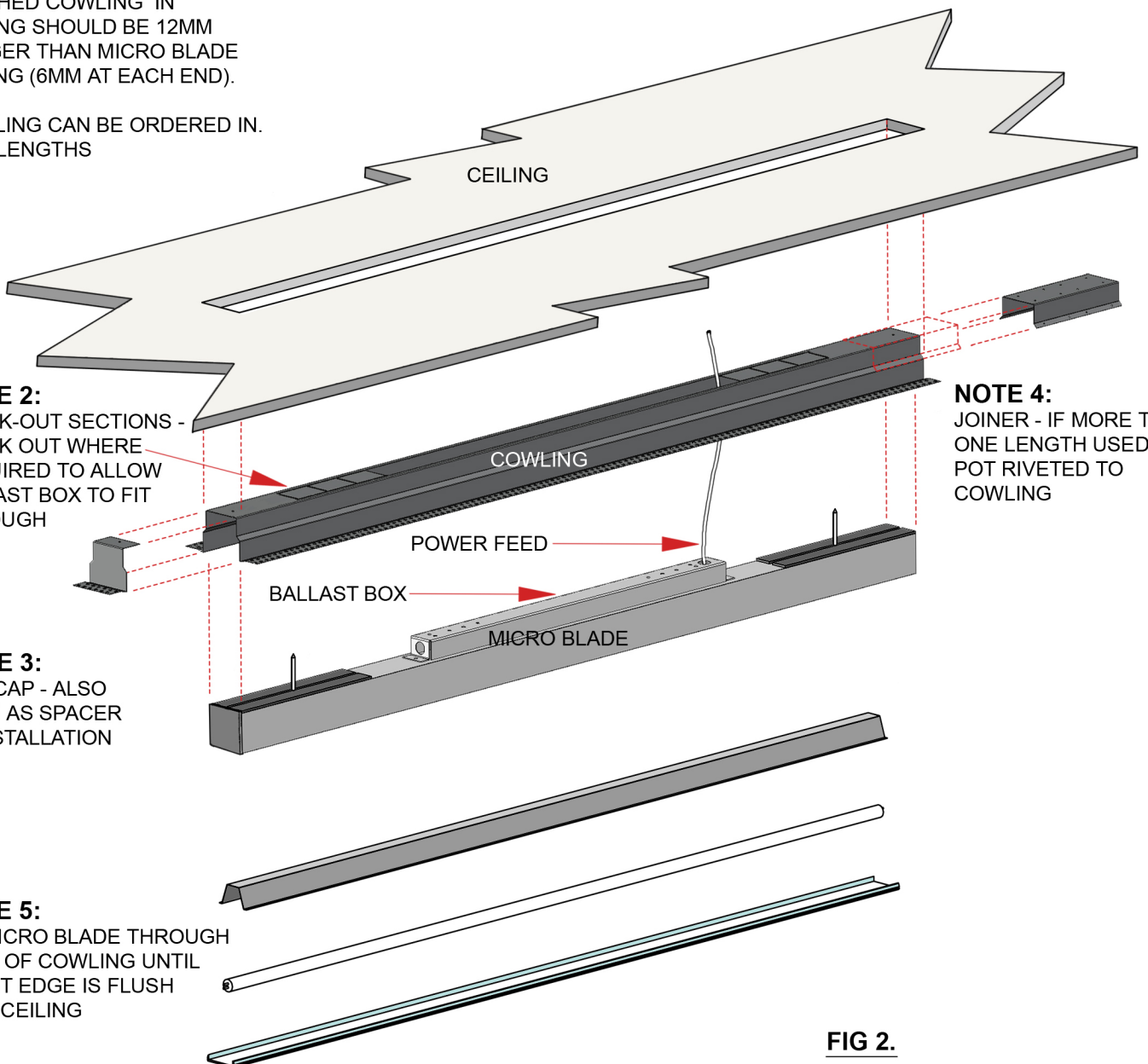
END CAP - ALSO USED AS SPACER IN INSTALLATION

**NOTE 4:**

JOINER - IF MORE THAN ONE LENGTH USED. POT RIVETED TO COWLING

**NOTE 5:**

FIX MICRO BLADE THROUGH BACK OF COWLING UNTIL FRONT EDGE IS FLUSH WITH CEILING



**FIG 2.**