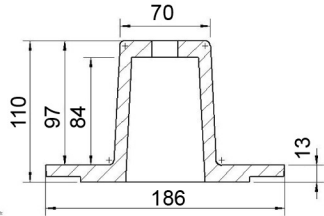


1. Unpack boxes and check contents. Keep packing slip for your records.

Five types are available, all are suitable for 13mm gib lined ceilings. Tickbox indicates which one has been supplied.

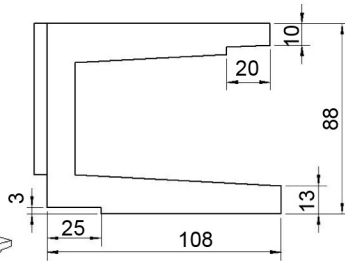
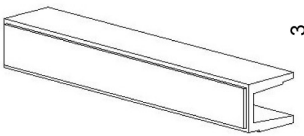
i) Slotblade Plaster box with moulded ends

Lengths available:
1185mm
1485mm
90 degree Corner unit



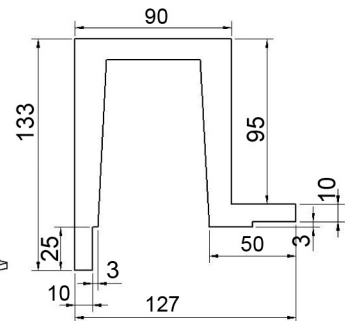
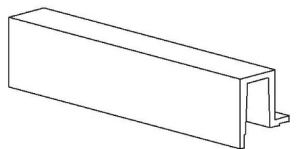
ii) Side mounted Plaster box with open ends

Lengths available:
1185mm



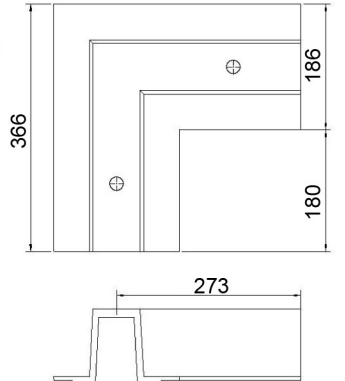
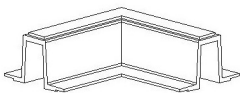
iii) Wall Washer Plaster box with open ends

Lengths available:
1185mm



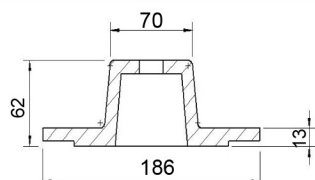
iv) Slotblade and Microblade 90 degree plaster box with open ends.

Only one size available.

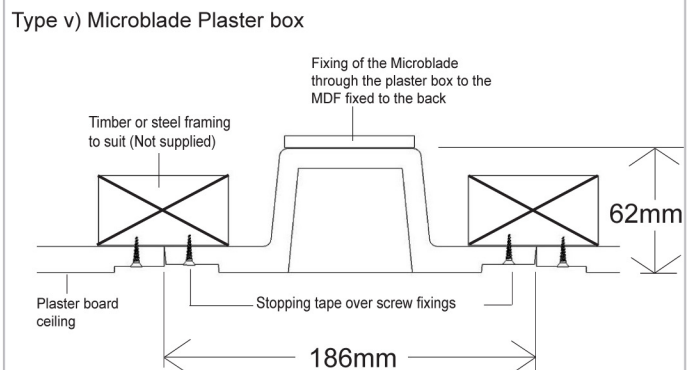
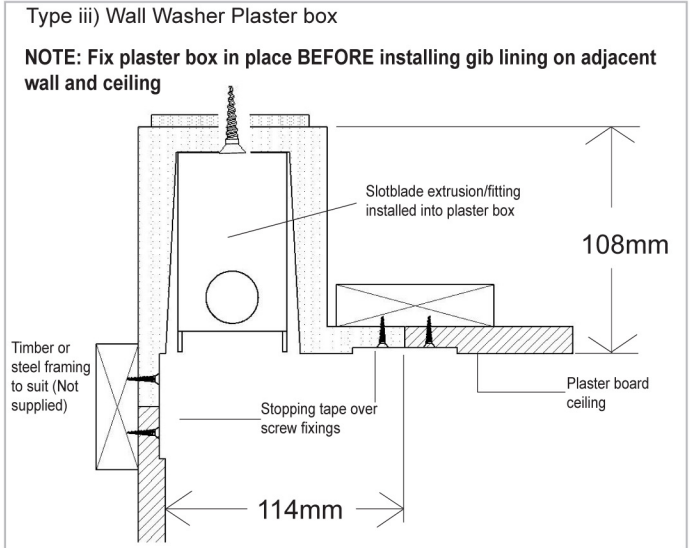
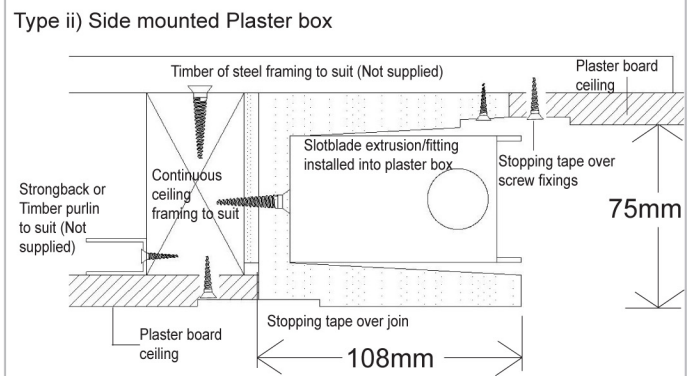
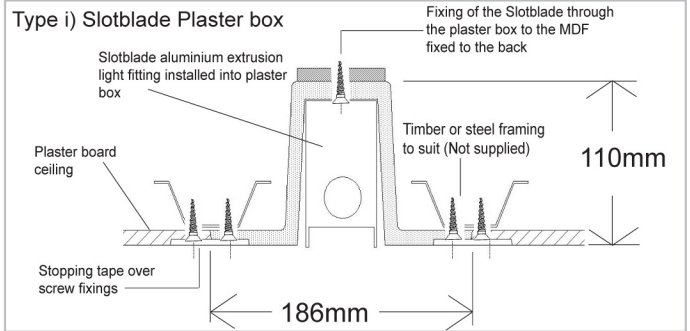


v) Microblade Plaster box with & without moulded ends

Lengths available:
890 (with ends)
1185mm (with ends)
2400mm (no ends)
90 degree Corner unit



2. The builder or ceiling contractor should install suitable hangers and rails for fixing the plaster boxes as shown below.



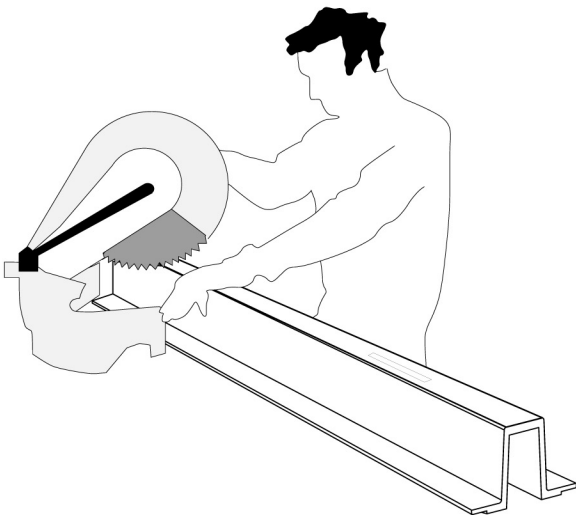
NOTE: Ballast will be located to suit each individual project. Contact Aesthetics Lighting for this information.

3. Layout plaster boxes & check configuration to designers drawings.

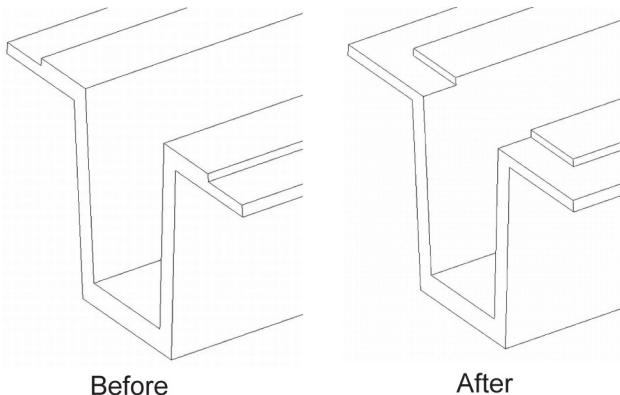
If using standard length plaster boxes with no cutting required **REFER STEP 6**

If non standard lengths are required then plaster boxes will require cutting. **REFER STEPS 4 & 5 BELOW**

4. Measure and drop saw plaster boxes to length as required.

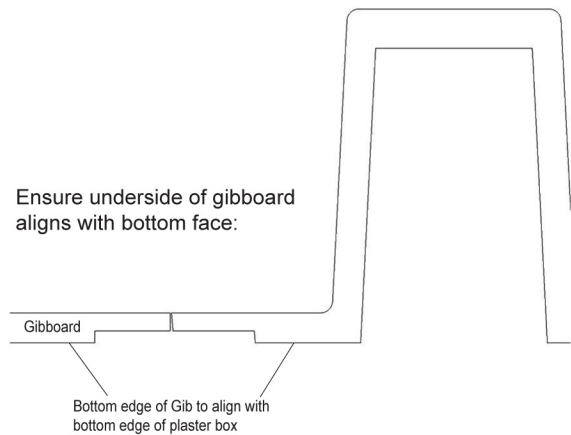


5. Use a chisel to rebate sawn ends in preparation for adding stopping tape.



6. Fix plaster boxes to ceiling structure.

7. When lining ceiling bring the gib board up to the edges of the plaster boxes to meet the stopping tape flange.



8. Check that the dimensions of the plaster box recess is correct and that they are plumb and level.

9. Add stopping tape to all visible joints and stop as required.

NOTE: The internal dimensions of the plaster box recess are critical.
If required allow only a light skim of plaster to make good any chips and joints to the internal cavities.

10. Once plaster boxes are fixed, stopped and painted contact Aesthetics Lighting to arrange a site measure.

Contact Details:

Aesthetics Lighting Wellington Ltd
Phone: 04 384 1305
Fax: 04 385 4039
Email: enquiries@aesthetics.co.nz

Additional Notes: