

Sector Blade Chandelier Installation Instructions

50HZ
230-240V AC



0.3 m

For Indoor use only

For first use and any new lamps, burn in for 100 hours at full brightness. This is particularly important for dimming luminaires.

SUPPLY CORD WARNING - ONLY THE MANUFACTURER OR QUALIFIED PERSON TO REPAIR

1. ALLOW COVER PLATE TO REST ON TOP OF SECTOR CHANDELIER. HAVE SOMEONE TAKE THE WEIGHT OF THE CHANDELIER.

2. SCREW THE MOUNTING BRACKET TO THE CEILING ENSURING THAT THERE IS A SOLID FIXING BEHIND. THE WEIGHT OF THE CHANDELIER CAN NOW BE TAKEN ON THE BALL JOINT.

3. BRING TPS THROUGH CENTRE OF TERMINAL BLOCK BRACKET AND TERMINATE WIRES IN TERMINAL BLOCK (SEE DIAGRAM B).

4. LIFT COVER PLATE UP OVER MOUNTING BRACKET ENSURING THAT HOLES LINE UP WITH SLOTS IN MOUNTING BRACKET. USE 4GX10 SELF TAPPING SCREWS TO FIX COVER PLATE TO MOUNTING BRACKET. MAKE SURE SCREWS ARE TIGHT TO ENSURE EARTH CONTINUITY BETWEEN PARTS.

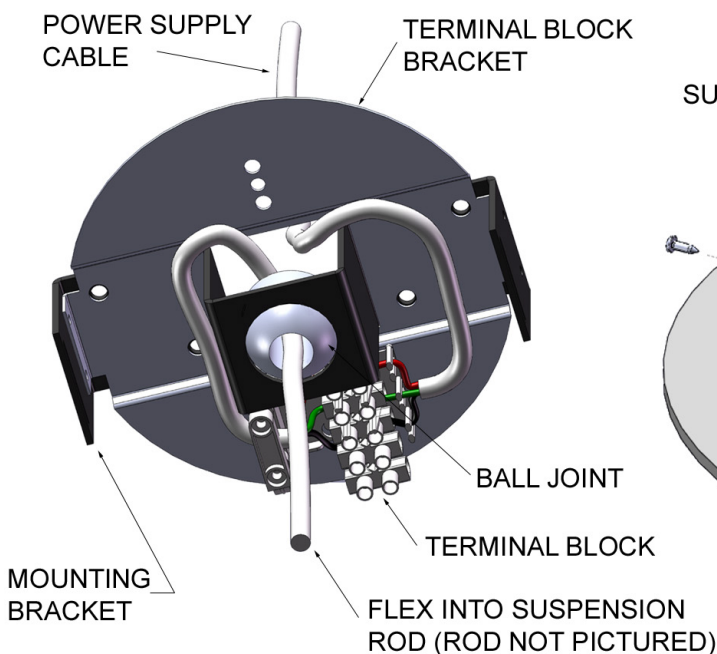


DIAGRAM B

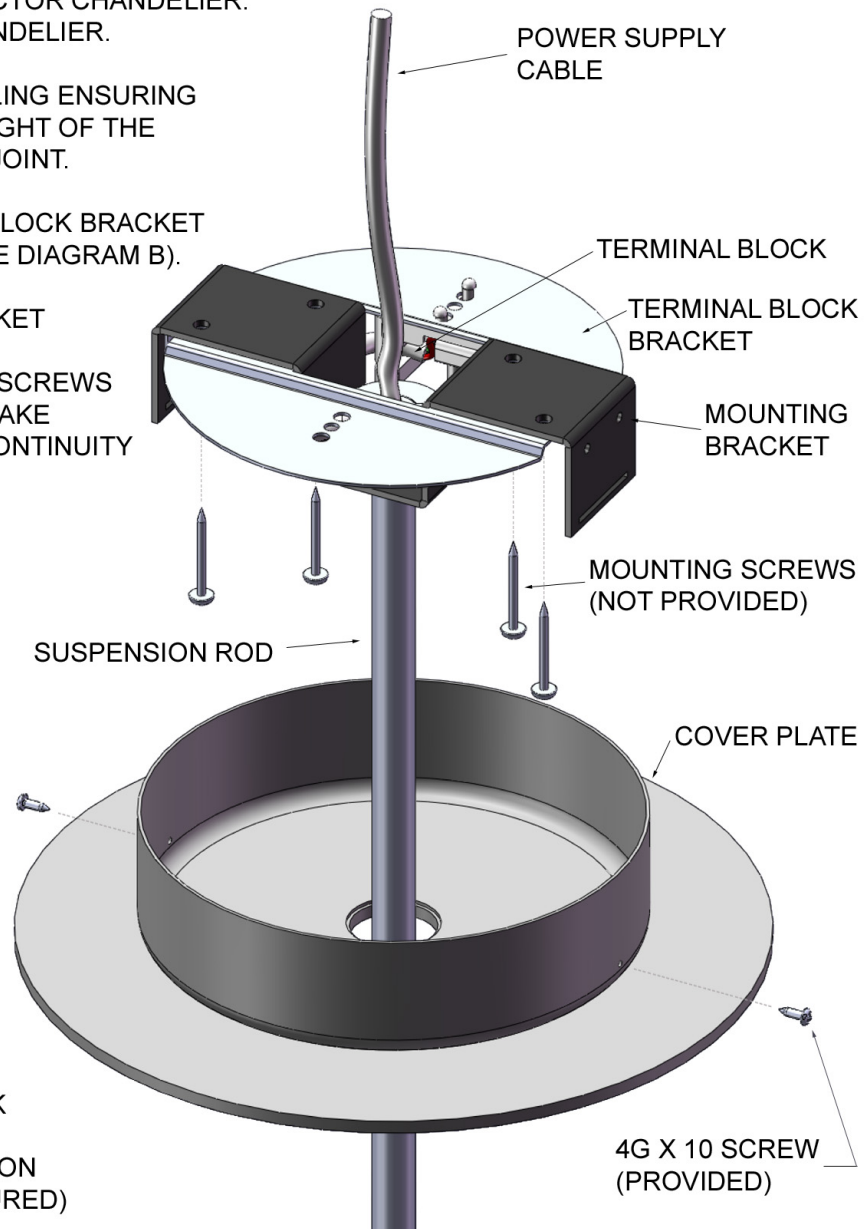


DIAGRAM A