

# Ceiling Recessed Cowling Installation Instruction

FOR COWLING INSTALLER AND ELECTRICIAN

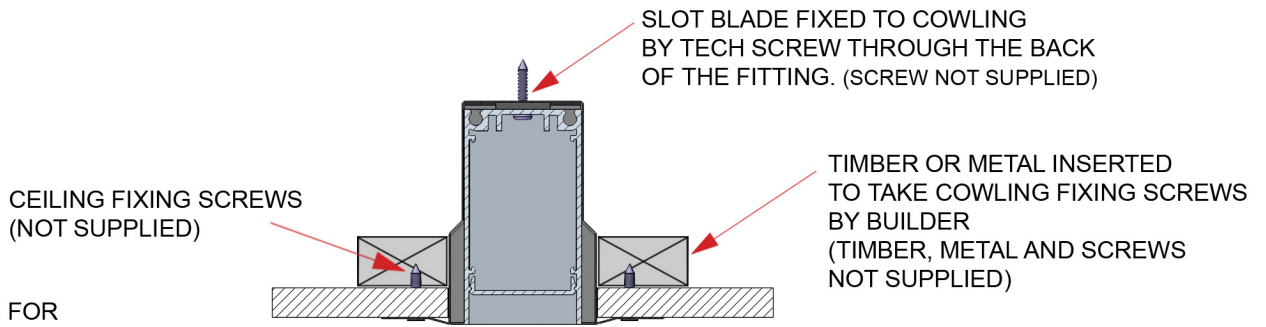


FIG 1.

**NOTE 1:**

CUT OUT SIZE FOR COWLING = 66MM WIDTH FINISHED COWLING IN CEILING LENGTH SHOULD BE 12MM LONGER THAN SLOT BLADE FITTING. (6MM AT EACH END)

COWLING CAN BE ORDERED IN FULL LENGTHS (2.6M), OR HALF LENGTHS (1.3M)

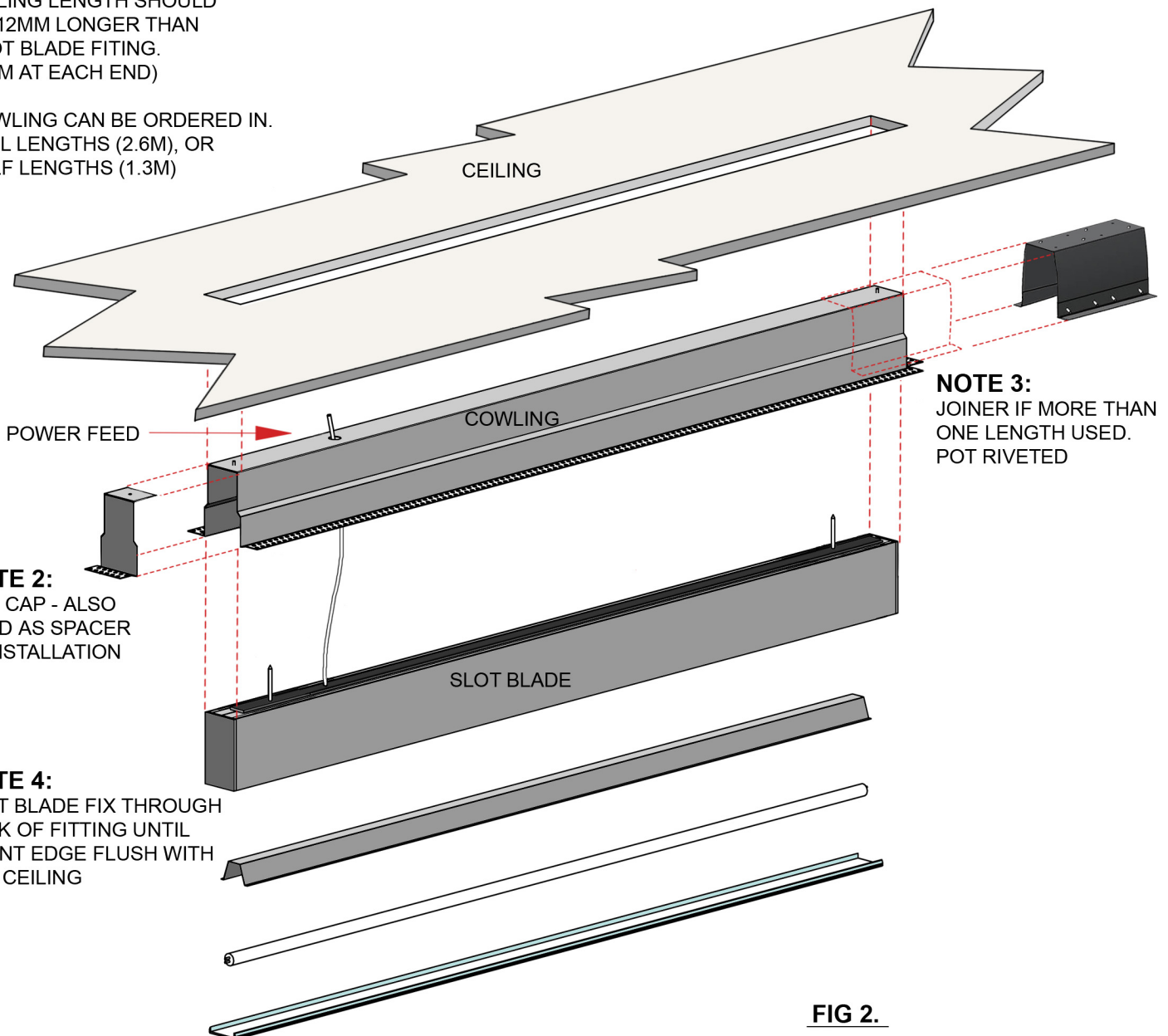


FIG 2.