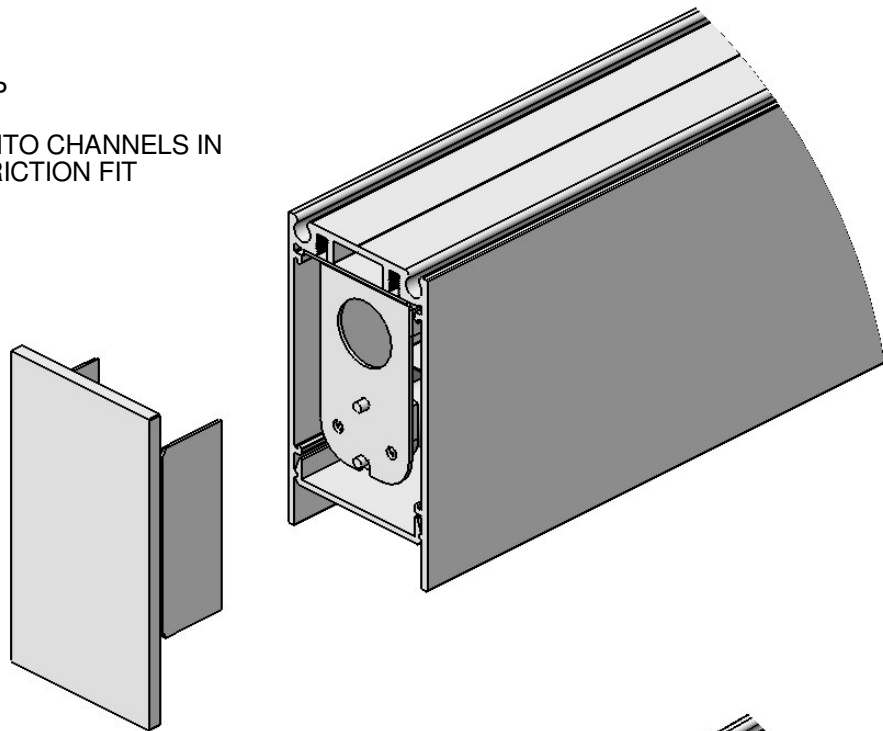


Endcaps and Ice Diffuser Installation & Removal Instruction P1

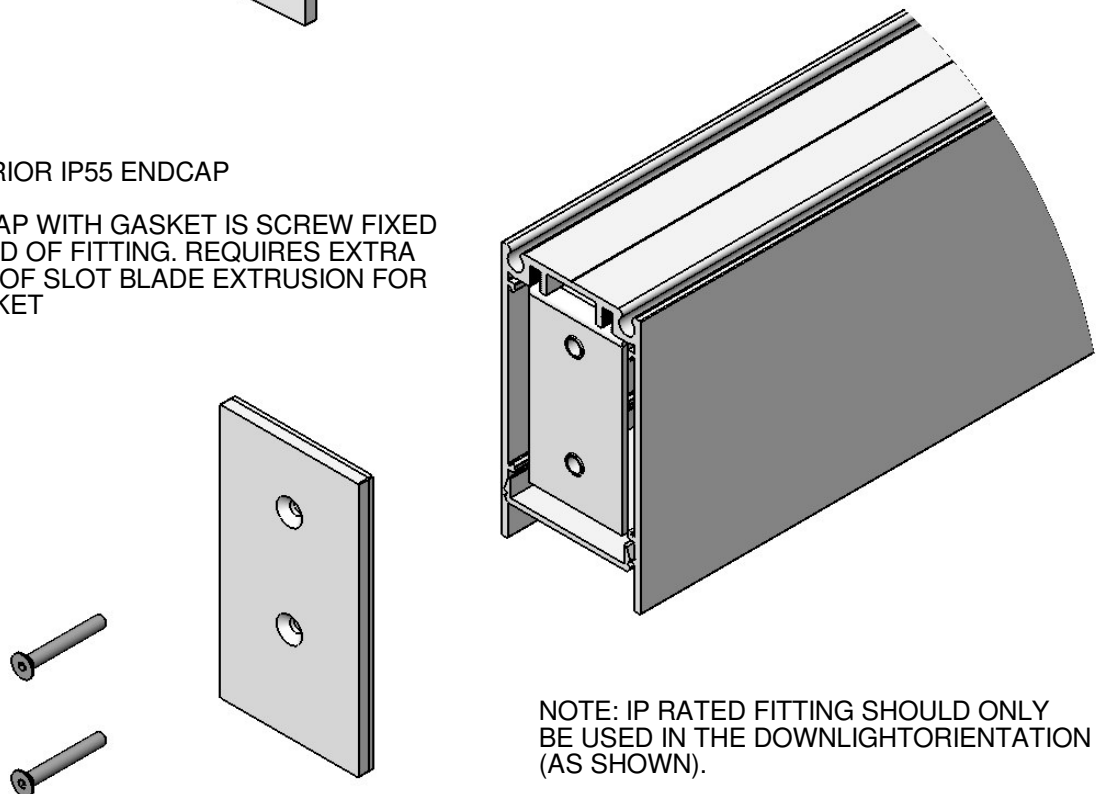
STANDARD ENDCAP

BRACKET SLIDES INTO CHANNELS IN EXTRUSION FOR FRICTION FIT



EXTERIOR IP55 ENDCAP

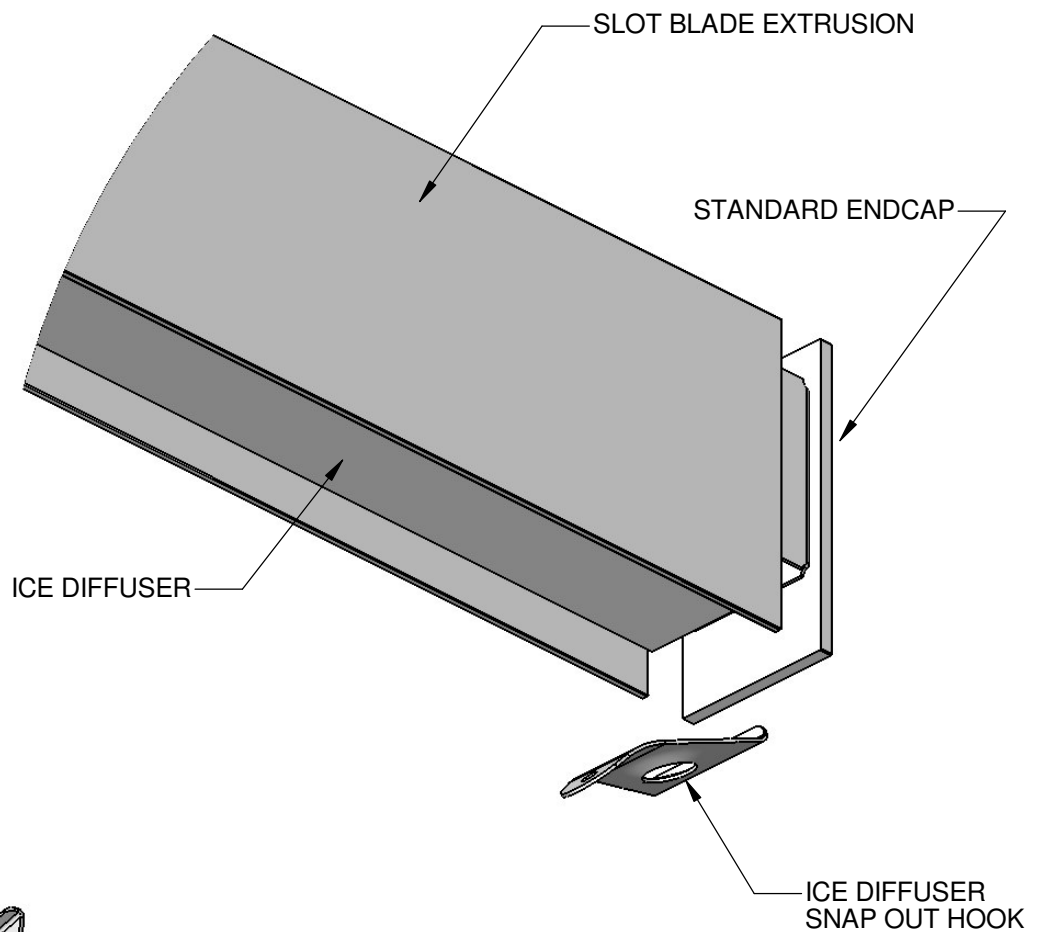
ENDCAP WITH GASKET IS SCREW FIXED TO END OF FITTING. REQUIRES EXTRA 28mm OF SLOT BLADE EXTRUSION FOR BRACKET



NOTE: IP RATED FITTING SHOULD ONLY BE USED IN THE DOWNLIGHT ORIENTATION (AS SHOWN).

SNAP IN ICE DIFFUSER BEFORE SCREWING ON THE ENDCAP

Endcaps and Ice Diffuser Installation & Removal Instruction P2



REMOVING THE ICE DIFFUSER TO CHANGE A FLUORESCENT TUBE OR FAULTY BALLAST.

WHENEVER POSSIBLE FULLY REMOVE OR PARTIALLY REMOVE THE ENDCAP BEFORE SNAPPING OUT THE ICE DIFFUSER.

USING THE ICE DIFFUSER SNAP OUT HOOK WILL ALSO REDUCE THE RISK OF CRACKING THE ICE DIFFUSER - ESPECIALLY IF YOU CAN ONLY PARTIALLY REMOVE THE ENDCAP.

REMOVING THE ALUMINIUM MIRROR: PUSH THE MIRROR FURTHER INTO THE FITTING UNTIL ONE EDGE SNAPS OUT OF GROOVE AND ENTIRE MIRROR CAN BE ROTATED AND LIFTED OUT OF SLOT BLADE EXTRUSION.