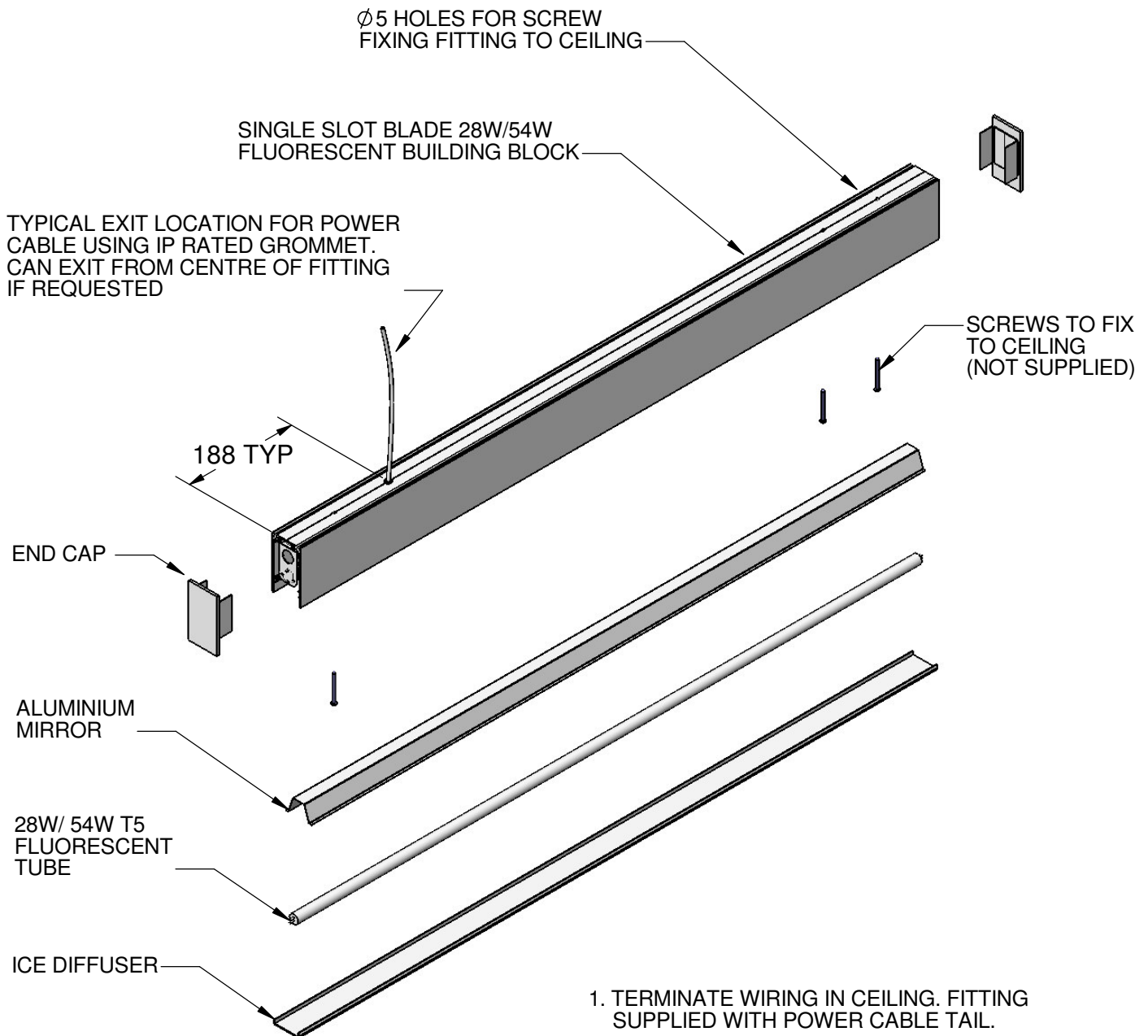


## Surface Mounted Installation Instruction



1. TERMINATE WIRING IN CEILING. FITTING SUPPLIED WITH POWER CABLE TAIL.
2. SCREW FIX SLOT BLADE FITTING TO SURFACE, ENSURE FIXING INTO SOLID FRAMEWORK.
3. SNAP IN MIRROR.
4. INSERT FLUORESCENT TUBE.
5. SNAP IN ICE DIFFUSER.
6. SLIDE ON END CAPS TAKING CARE NOT TO SCRATCH CEILING