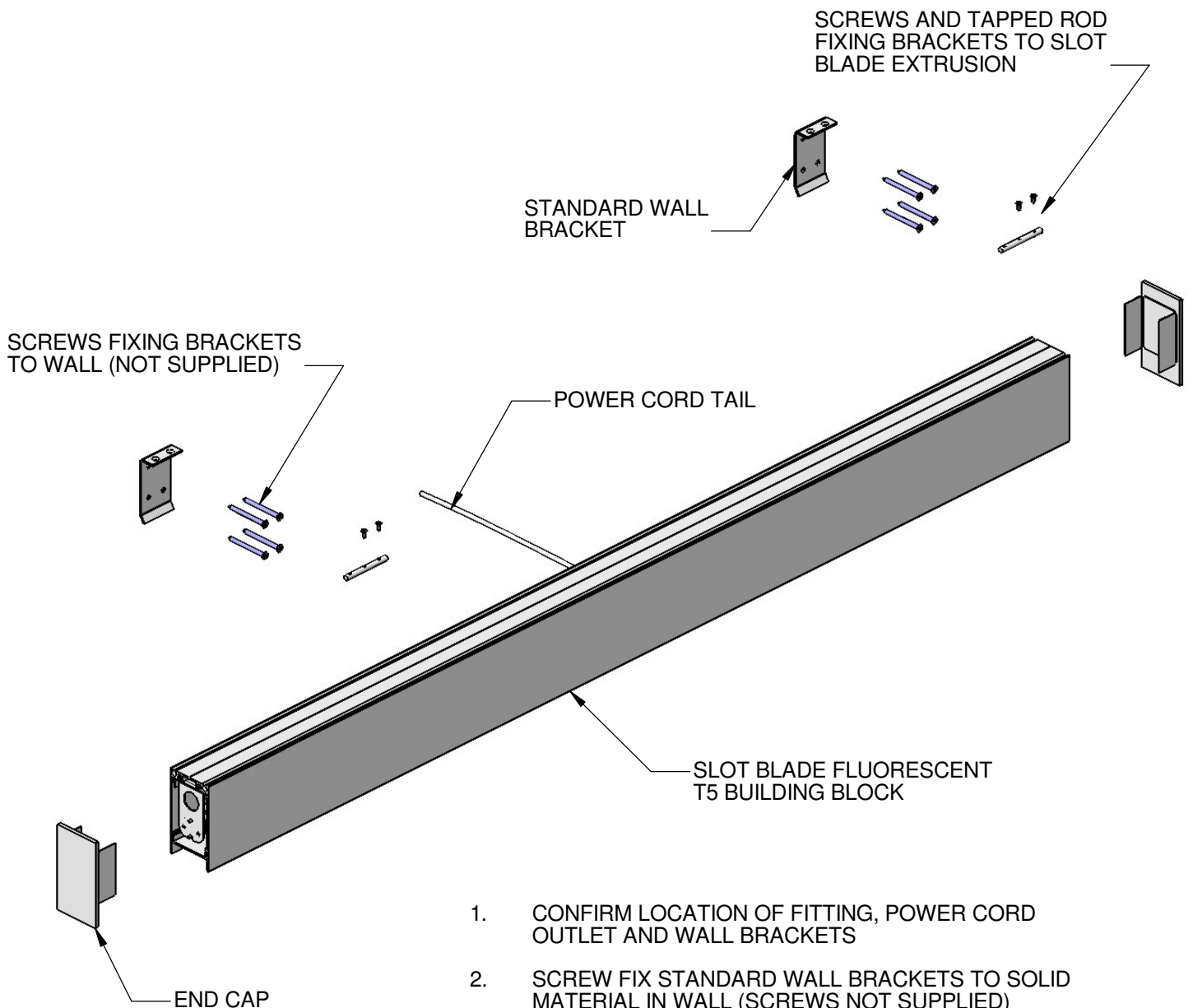
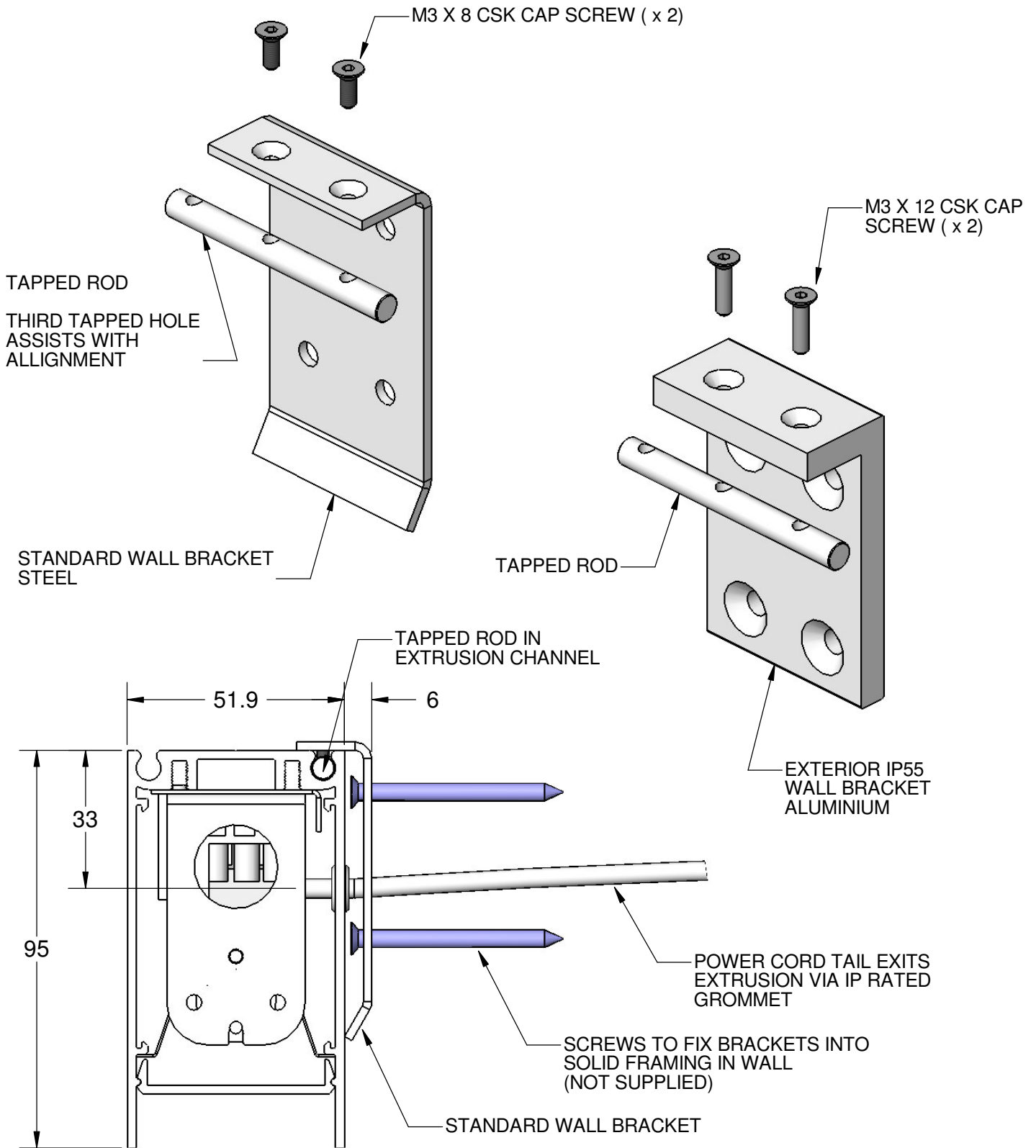


Wall Mounted Installation Instruction Page 1



1. CONFIRM LOCATION OF FITTING, POWER CORD OUTLET AND WALL BRACKETS
2. SCREW FIX STANDARD WALL BRACKETS TO SOLID MATERIAL IN WALL (SCREWS NOT SUPPLIED)
3. REMOVE END CAPS TO SLIDE IN TAPPED RODS
4. TERMINATE WIRING IN WALL. POWER CORD TAIL WILL TYPICALLY EXIT FROM THE MIDDLE OF THE FITTING.
5. FIX SLOT BLADE FITTING TO WALL BY SCREWING WALL BRACKETS TO TAPPED RODS (SCREWS SUPPLIED)
6. WALL BRACKETS CAN BE POSITIONED ANYWHERE ALONG THE SLOT BLADE EXTRUSION

Wall Mounted Installation Instruction Page 2



END VIEW MINUS ENDCAPS